

RoHS Compliant

COAXIAL CONNECTORS

2008

CAT.NO.COAX-007A-E.FEB.2008



COAXIAL
CONNECTORS

Japan Aviation Electronics Industry, Ltd.

ADAPTERS

Adapter for pin/socket conversion of the same series or connection between connectors of different series.
Applicable to various series. A wide variety of types are available : Straight, right-angle, panel mount and bulkhead.
Enables different types of connections for various applications.



★For Materials, finishes and specifications, please consult us.

■Description of the shape of the mating part

“Receptacle” and “Plug” described in page 94 to 107 for mating part configuration refers to below.

- Receptacle : receptacle or jack (female side)
- Plug : plug or plug receptacle (male side)

■Types

Straight Type



Straight · Bulkhead Type



Straight · Panel Mount Type



Right-angle Type



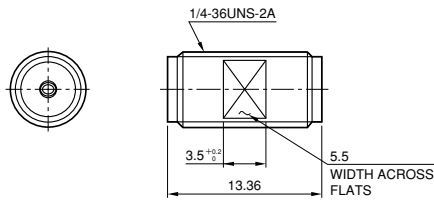
ADAPTERS

■ Straight Type

Dimensions in millimeters

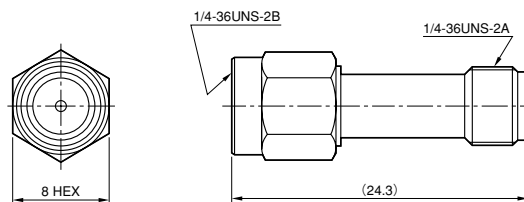
■ Part Number : SMASMAFF01

Mating Part Configuration
SMA (Receptacle) – SMA (Receptacle)



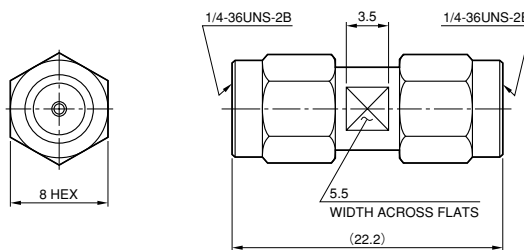
■ Part Number : SMASMAFM01

Mating Part Configuration
SMA (Receptacle) – SMA (Plug)



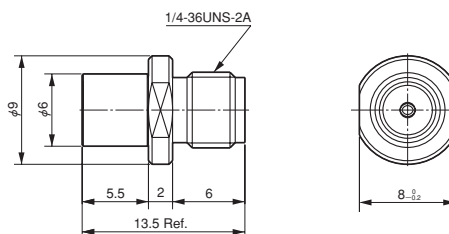
■ Part Number : SMASMAMM01

Mating Part Configuration
SMA (Plug) – SMA (Plug)



■ Part Number : SMASMBFF01

Mating Part Configuration
SMA (Receptacle) – SMB (Plug)

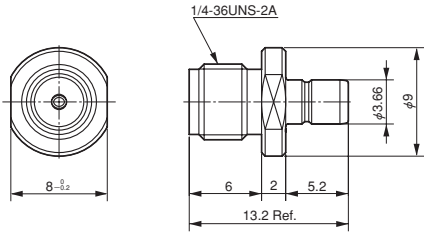


■ Straight Type

Dimensions in millimeters

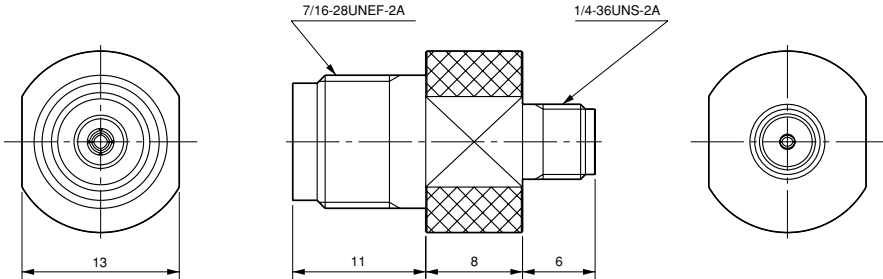
■ Part Number : SMASMBFM01

Mating Part Configuration
SMA (Receptacle) – SMB (Receptacle)



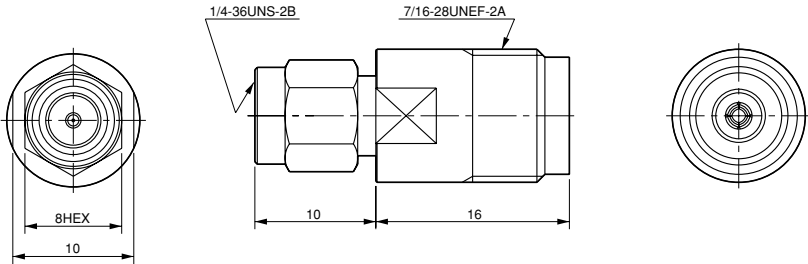
■ Part Number : SMATNCF01

Mating Part Configuration
SMA (Receptacle) – TNC (Receptacle)



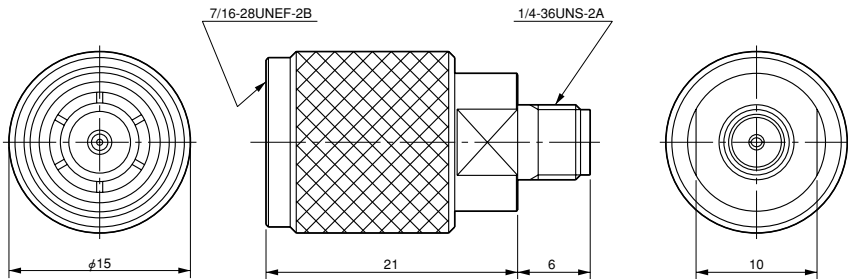
■ Part Number : SMATNCMF01

Mating Part Configuration
SMA (Plug) – TNC (Receptacle)



■ Part Number : SMATNCFM01

Mating Part Configuration
SMA (Receptacle) – TNC (Plug)



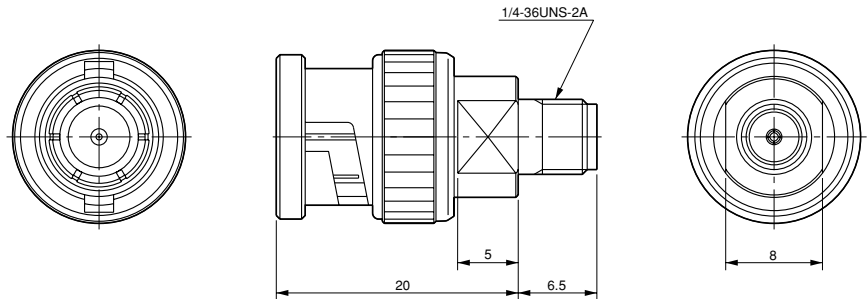
ADAPTERS

■ Straight Type

Dimensions in millimeters

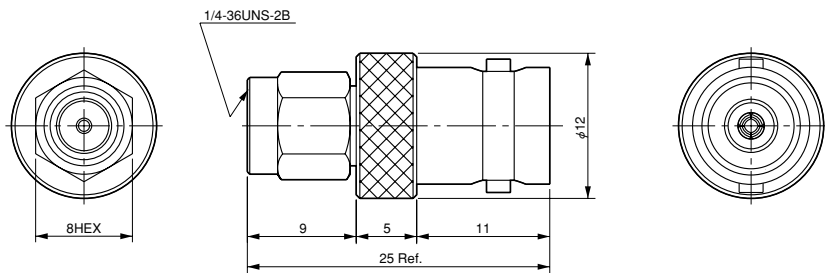
■ Part Number : BNCMAMF01

Mating Part Configuration
BNC (Plug) – SMA (Receptacle)



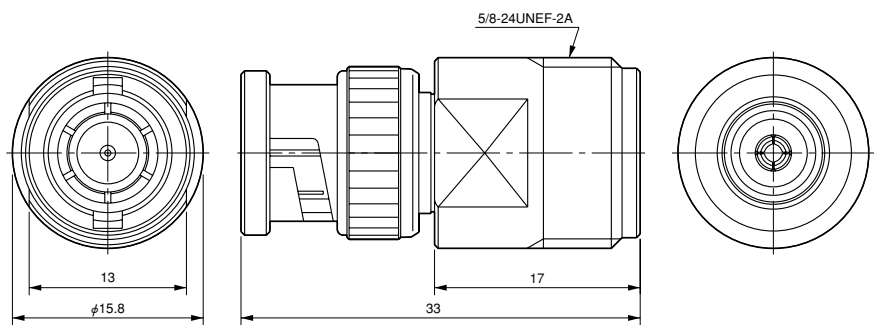
■ Part Number : BNCMAFM01

Mating Part Configuration
BNC (Receptacle) – SMA (Plug)



■ Part Number : BNCN00MF01

Mating Part Configuration
BNC (Plug) – N (Receptacle)



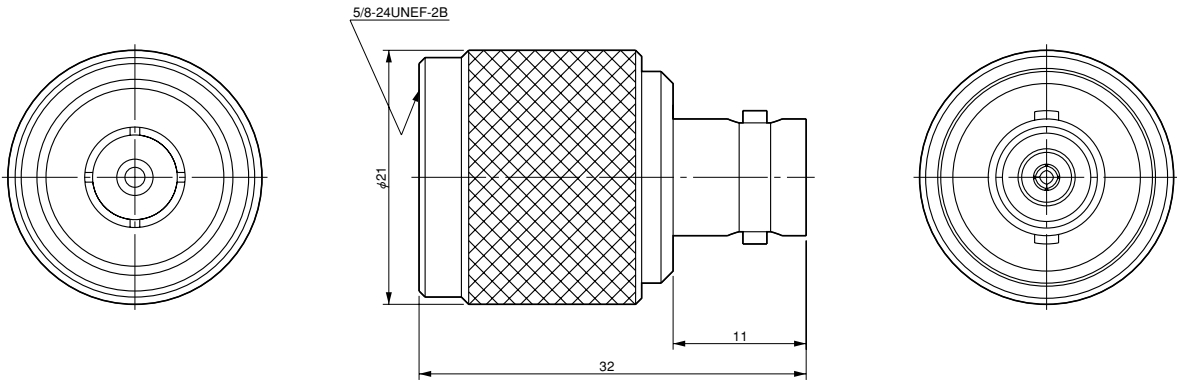
■ Straight Type

Dimensions in millimeters



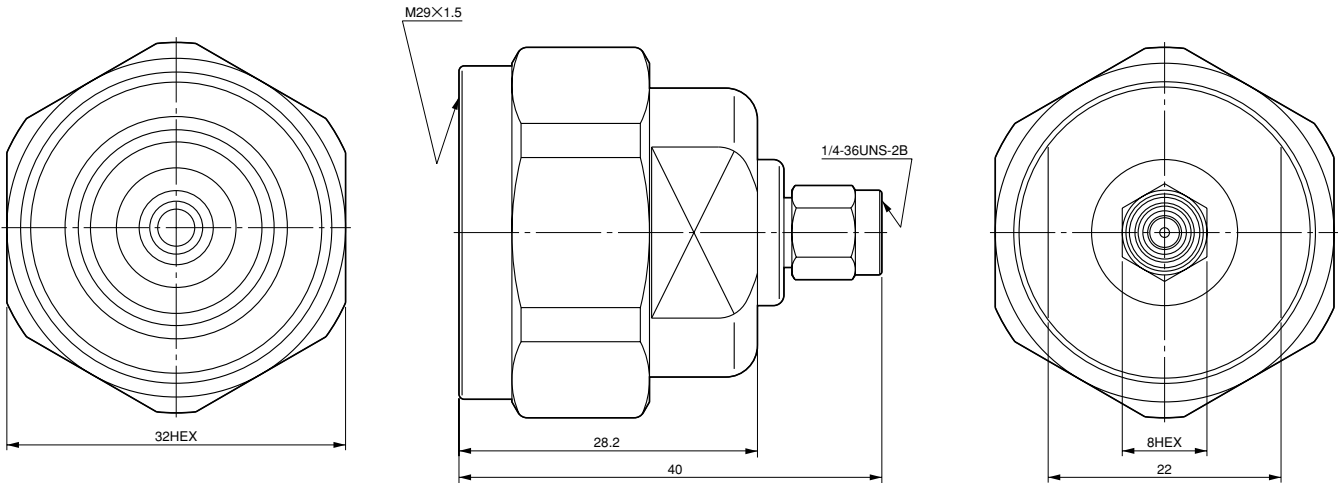
■ Part Number : BNCN00FM01

Mating Part Configuration
BNC (Receptacle) – N (Plug)



■ Part Number : 716SMAMM01

Mating Part Configuration
716 (Plug) – SMA (Plug)



ADAPTERS

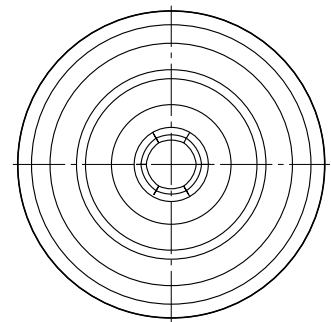
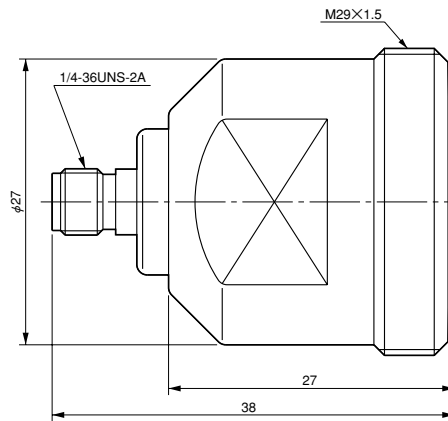
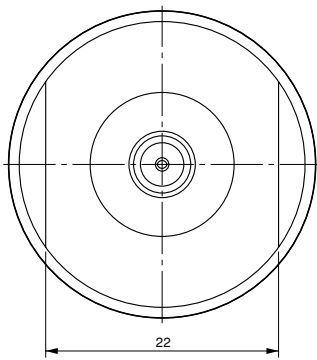
■ Straight Type

Dimensions in millimeters



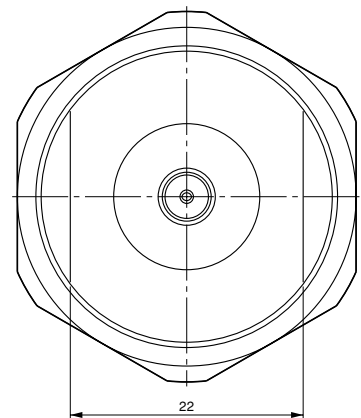
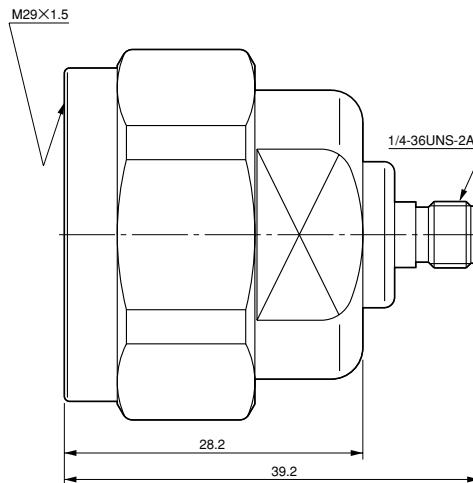
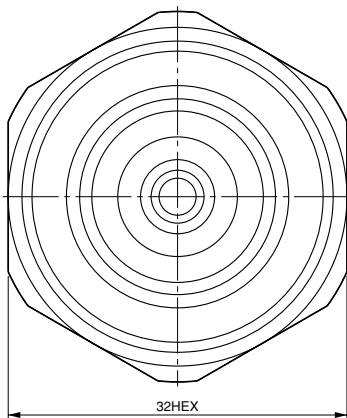
■ Part Number : 716SMAFF01

Mating Part Configuration
716 (Receptacle) – SMA (Receptacle)



■ Part Number : 716SMAMF01

Mating Part Configuration
716 (Plug) – SMA (Receptacle)



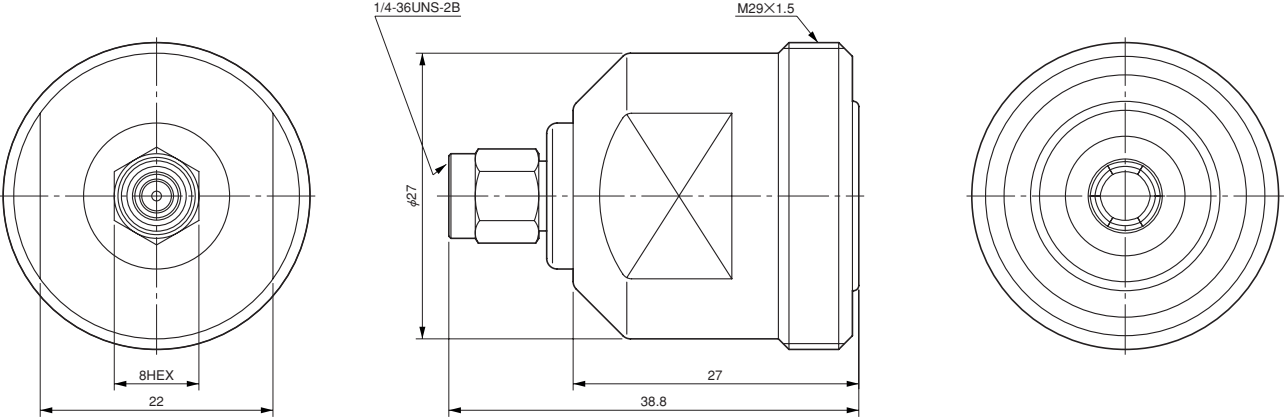
■ Straight Type

Dimensions in millimeters



■ Part Number : 716SMAFM01

Mating Part Configuration
716 (Receptacle) – SMA (Plug)



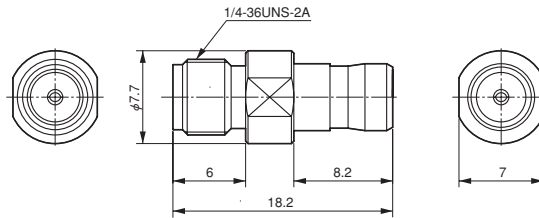
ADAPTERS

■ Straight Type

Dimensions in millimeters

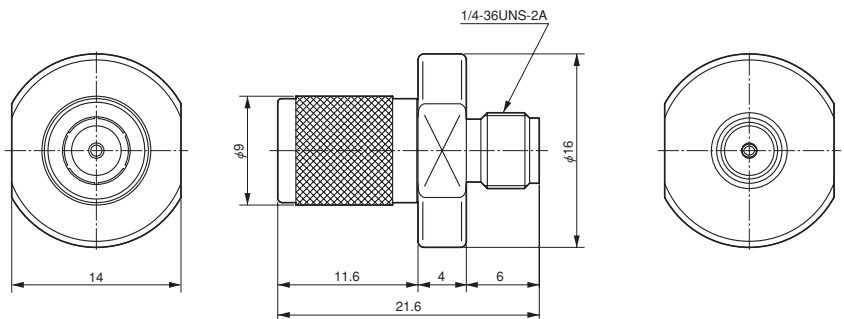
■ Part Number : CA1SMAFF01

Mating Part Configuration
CA1 (Receptacle) – SMA (Receptacle)



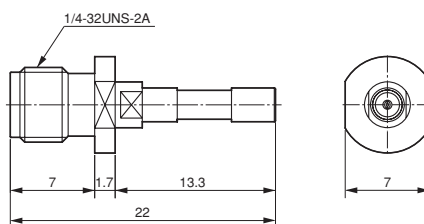
■ Part Number : CA1SMAMF01

Mating Part Configuration
CA1 (Plug) – SMA (Receptacle)



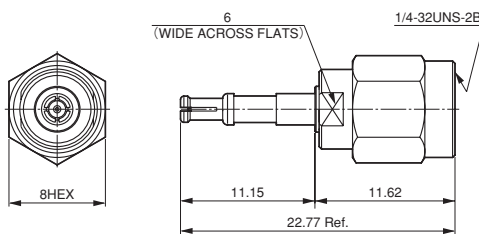
■ Part Number : CJ2SMAFF01

Mating Part Configuration
CJ2 (Receptacle) – SMA (Receptacle)



■ Part Number : CJ2SMAMM01

Mating Part Configuration
CJ2 (Plug) – SMA (Plug)

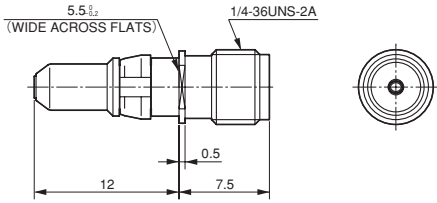


■ Straight Type

Dimensions in millimeters

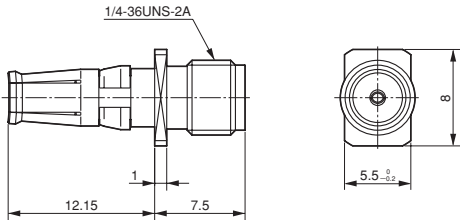
■ Part Number : CJ4SMAFF01

Mating Part Configuration
CJ4 (Receptacle) – SMA (Receptacle)



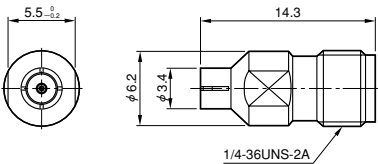
■ Part Number : CJ4SMAMF01

Mating Part Configuration
CJ4 (Plug) – SMA (Receptacle)



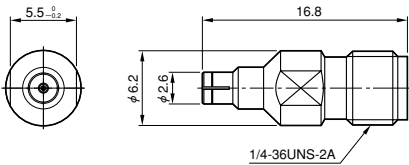
■ Part Number : CV1SMAMF02

Mating Part Configuration
CV10 (Plug) – SMA (Receptacle)



■ Part Number : CV1SMAFF01

Mating Part Configuration
CV10 (Receptacle) – SMA (Receptacle)



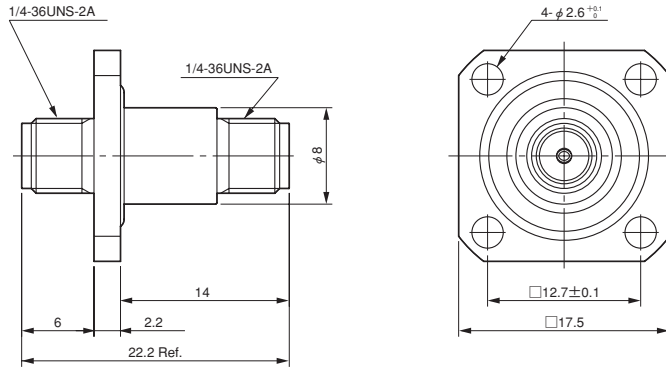
ADAPTERS

■ Straight · Panel Mount Type

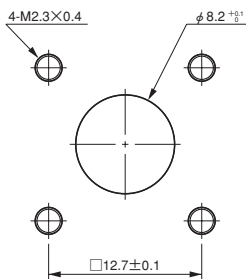
Dimensions in millimeters

■ Part Number : SMASMAFF02

Mating Part Configuration
SMA (Receptacle) — SMA (Receptacle)

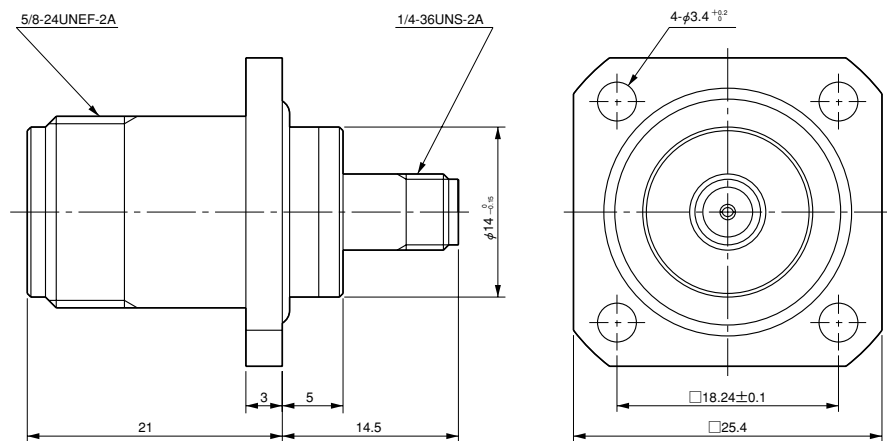


PANEL MOUNTING HOLE PATTERNS (REF.)

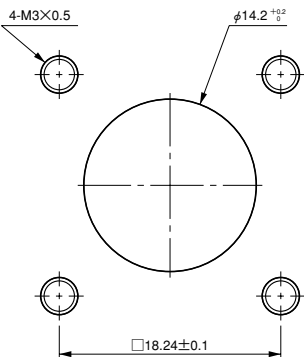


■ Part Number : N00SMAFF02

Mating Part Configuration
N (Receptacle) — SMA (Receptacle)



PANEL MOUNTING HOLE PATTERNS (REF.)



■ Straight · Panel Mount Type

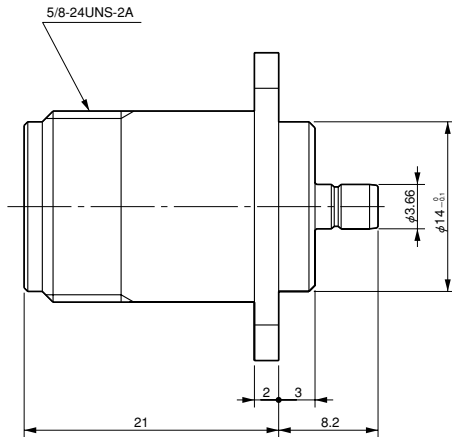
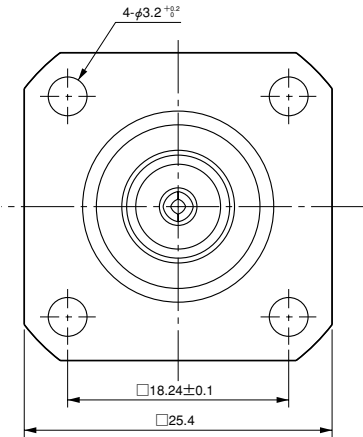
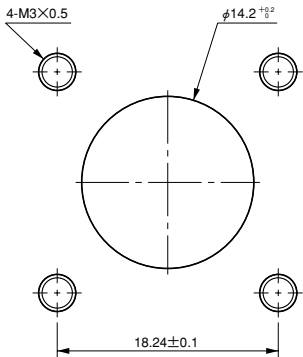
Dimensions in millimeters

■ Part Number : N00SMBFM01

Mating Part Configuration
N (Receptacle) — SMB (Receptacle)



PANEL MOUNTING HOLE PATTERNS (REF.)

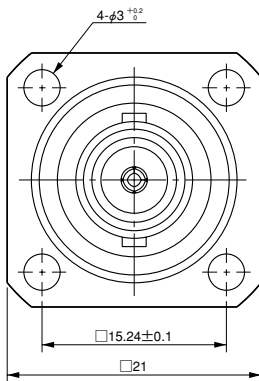
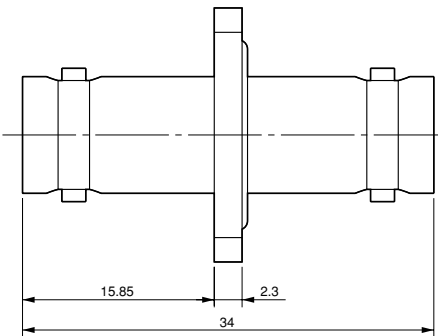
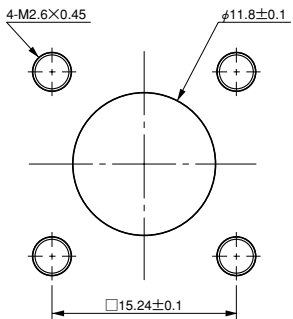


■ Part Number : BNCBNCFF01

Mating Part Configuration
BNC (Receptacle) — BNC (Receptacle)



PANEL MOUNTING HOLE PATTERNS (REF.)
(PANEL THICKNESS : 4mm max.)



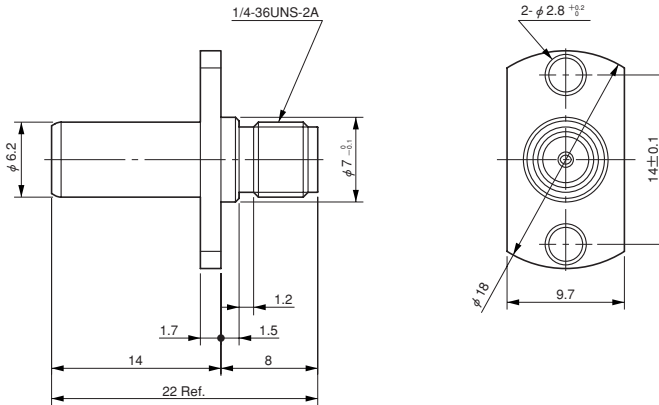
ADAPTERS

■ Straight · Panel Mount Type

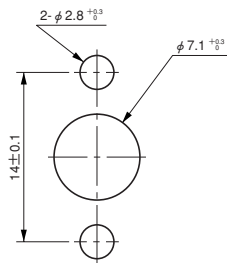
Dimensions in millimeters

■ Part Number : CF2SMAMF01

Mating Part Configuration
CF2 (Plug) — SMA (Receptacle)

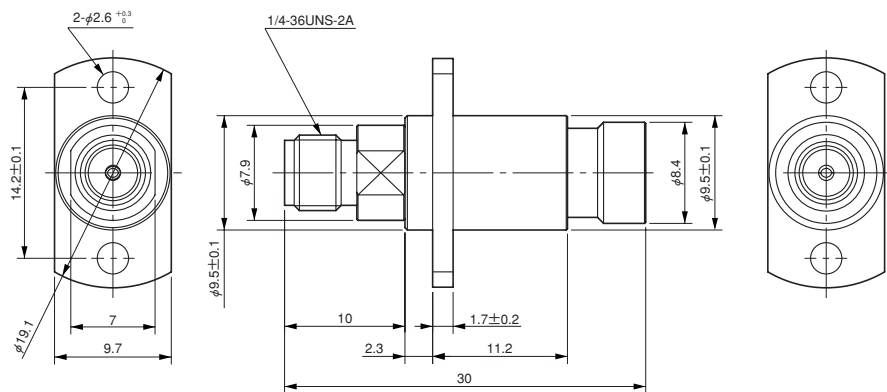


PANEL MOUNTING HOLE PATTERNS (REF.)

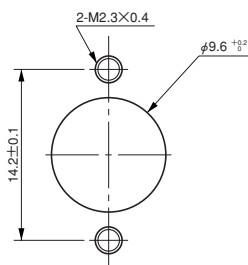


■ Part Number : CF2SMAFF01

Mating Part Configuration
CF2 (Receptacle) — SMA (Receptacle)



PANEL MOUNTING HOLE PATTERNS (REF.)



■ Straight · Bulkhead Type

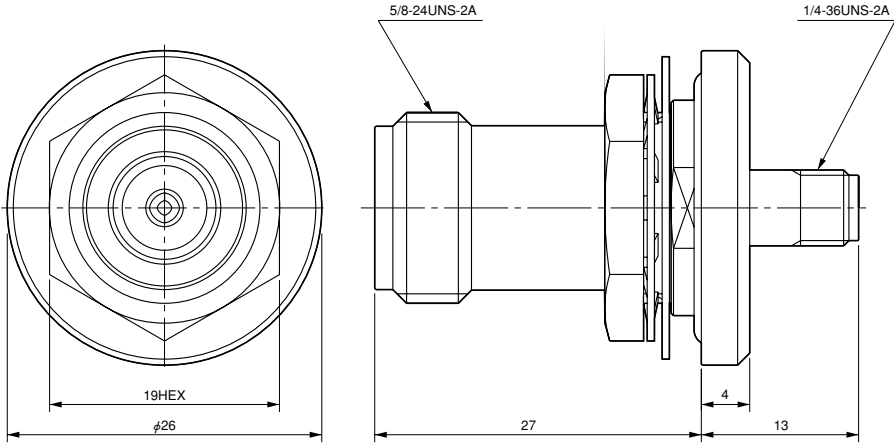
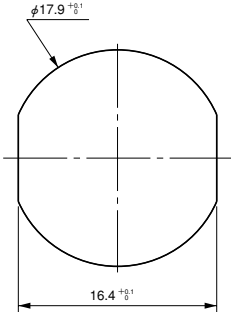
Dimensions in millimeters

■ Part Number : N00SMAFF01

Mating Part Configuration
N (Receptacle) — SMA (Receptacle)



PANEL MOUNTING HOLE PATTERNS (REF.)
(PANEL THICKNESS : 2 to 4mm)

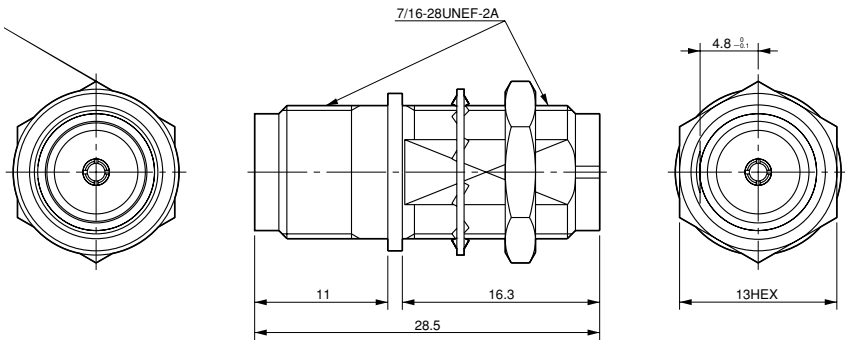
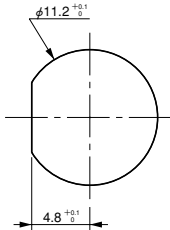


■ Part Number : TNCTNCF01

Mating Part Configuration
TNC (Receptacle) — TNC (Receptacle)



PANEL MOUNTING HOLE PATTERNS (REF.)
(PANEL THICKNESS : 2.8mm max.)



COAXIAL CONNECTORS ADAPTERS

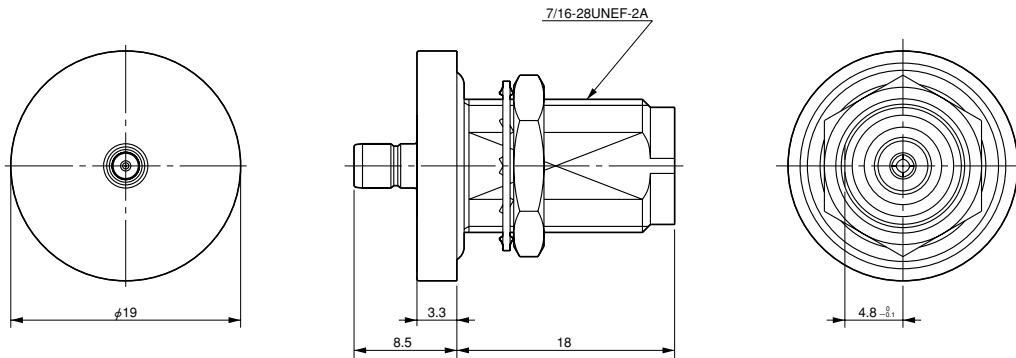
■ Straight · Bulkhead Type

Dimensions in millimeters

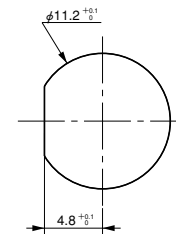


■ Part Number : SMBTNCFM01

Mating Part Configuration
SMB (Receptacle) – TNC (Plug)



PANEL MOUNTING HOLE PATTERNS (REF.)
(PANEL THICKNESS : 2 to 4mm)

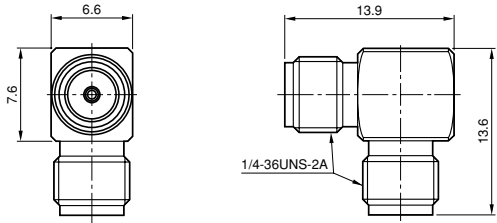


■ Right-angle Type

Dimensions in millimeters

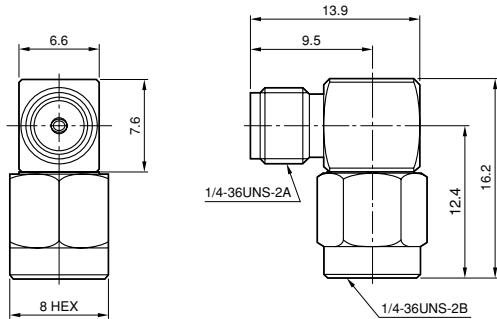
■ Part Number : SMASMAFF03

Mating Part Configuration
SMA (Receptacle) – SMA (Receptacle)



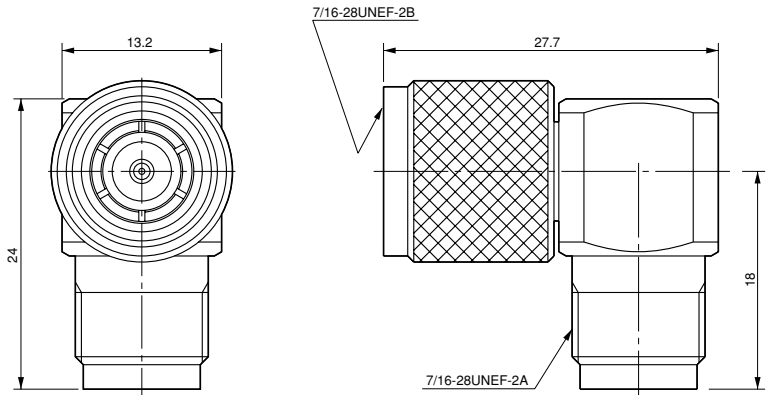
■ Part Number : SMASMAFM02

Mating Part Configuration
SMA (Receptacle) – SMA (Plug)



■ Part Number : TNCTNCFM01

Mating Part Configuration
TNC (Receptacle) – TNC (Plug)



Before placing an order

- ①The values specified in this catalogue are only for reference. The products and specifications are subject to change without notice. Contact our sales staff for further information before considering or ordering any of our products. For purchase, a product specification must be agreed upon.
- ②Users are requested to provide protection circuits and redundancy circuits to ensure safety of the equipment, and sufficiently review the suitability of JAE's products to the equipment.
- ③The products presented in this catalogue are designed for the uses recommended below. We strongly suggest you contact our sales staff when considering use of any of the products in any other way than the recommended applications or for a specific use that requires an extremely high reliability.

(1)Applications that require consultation:

- (i)Please contact us if you are considering use involving a quality assurance program that you specify or that is peculiar to the industry, such as:
Automotive electrical components, train control, telecommunications devices (mainline), traffic light control, electric power, combustion control, fire prevention or security systems, disaster prevention equipment, etc.
- (ii)We may separately give you our support with a quality assurance program that you specify, when you think of a use such as:
Aviation or space equipment, submarine repeaters, nuclear power control systems, medical equipment for life support, etc.

(2)Recommended applications include:

Computers, office appliances, telecommunications devices (terminals, mobile units), measuring equipment, audiovisual equipment, home electric appliances, factory automation equipment, etc.

Japan Aviation Electronics Industry, Limited

1-19, Aobadai 3-chome, Meguro-ku, Tokyo 153-8539, Japan
Telephone: (81) 3-3780-2768 Facsimile: (81) 3-3780-2883

<http://www.jae.com>

<http://www.jae-connector.com>

JAE Electronics, Inc.

142 Technology Drive, Suite 100 Irvine, California 92618-2430, U.S.A.
Telephone: (1) 949-753-2600 Facsimile: (1) 949-753-2699
(800) JAE-PART (523-7278) Toll free in U.S.A. except in California and Alaska

JAE Europe, Ltd.

Coliseum Business Center, Riverside Way, Camberley, Surrey GU15 3YL, U.K.
Telephone: (44) 1276-404000 Facsimile: (44) 1276-404010

JAE Taiwan, Ltd. <Taipei Branch Office>

4F-1, No.88, Sec.2, Chung Hsiao E.Rd., Taipei, Taiwan, R.O.C.
Telephone: (886) 2-2396-7676 Facsimile: (886) 2-2392-5929

JAE Hong Kong, Ltd.

Suites 1407-11,14/F., Tower2, The Gateway, 25 Canton Road,
Tsimshatsui, Kowloon, Hong Kong
Telephone: (852) 2723-7782 Facsimile: (852) 2723-9028

JAE Shanghai Co., Ltd.

RM1407, Shanghai Mart 2299 Yanan Road (West) Shanghai, 200336 P.R.C.
Telephone: (86) 21-6236-0322 Facsimile: (86) 21-6236-1292

JAE Singapore Pte Ltd.

33 Tannery Lane, #02-01 Hoesteel Industrial Building, Singapore 347789
Telephone: (65) 6748-1332 Facsimile: (65) 6748-2920

JAE Korea, Inc.

1602, City Air Tower, 159-9, Samsung-dong, Gangnam-gu, Seoul, 135-973 Korea
Telephone: (82) 2-551-8959 Facsimile: (82) 2-551-8958

