

RoHS Compliant

# COAXIAL CONNECTORS

2008

CAT.NO.COAX-007A-E.FEB.2008



COAXIAL  
CONNECTORS

**Japan Aviation Electronics Industry, Ltd.**

- FREQUENCY RANGE TO 6GHz
- PUSH-ON COUPLING

# CA1 Series

Small push-on connectors comparable to the SMA type. Since they do not have a screw coupling, they are smaller than the SMA and enable higher packaging density. Applicable frequencies : from DC up to 6GHz. High performance with a VSWR (voltage standing wave ratio) of 1.2 or less (DC to 3GHz) .

- Push-on connection for easy coupling and uncoupling.
- Lightweight, small in size, yet sturdy.
- A high degree of reliability provides stable electric continuity and high frequency performance.
- Applications : Wireless Communications Equipment, Measuring Instruments



## SPECIFICATIONS

Characteristic Impedance	50 Ω
Frequency Range	DC to 6GHz
D. W. Voltage	AC500Vr.m.s. (1minute)
Insulation Resistance	1000 megohms min. (DC500V)
Contact Resistance	Center Contacts : 4 milliohms max. Outer Contacts : 4 milliohms max.
V. S. W. R.	1.2 max. (DC to 3GHz)
Applicable Cables	1.5D-V, 1.5D-W, 2.5D-V, UT141, UT85

## MATERIALS/FINISHES

Description	Materials/Finishes
Pin Contacts	Copper Alloy/Gold Plated over Nickel
Socket Contacts	Copper Alloy/Gold Plated over Nickel
Insulator	PTFE
Guide Shell	Copper Alloy/Nickel Plated
Shell	Copper Alloy/Nickel Plated CA1A002DA2, CA1A003DB2 : Copper Alloy/Gold Plated over Nickel
Ferrule	Copper Alloy/Nickel Plated
Ring Spring	Copper Alloy/Nickel Plated

In addition to independent cable application type, we also harness products which satisfy your specification are available. Refer to pages 109 to 111 for details.

### Guide to Operation Manuals

When using any of these products, please confirm the following operation manuals.

- For 1.5D-V and 1.5D-W cables : JAHL-20050-1
- For 2.5D-V cables : JAHL-20050-2
- For 0.141 and 0.085 inch Semi-flexible cables : JAHL-20050-3

# CA1 Series

## TYPES AND COMBINATIONS

### Receptacle

●Panel Mount · Straight  
P/N : 2 Hole Mount · CA1T001D00



### Plug

●Straight  
P/N : CA1A00※D\*\*



●Right-angle  
P/N : CA1B00※D\*\*



### Adapter



Various adapters are available.  
See pages 93 to 107.

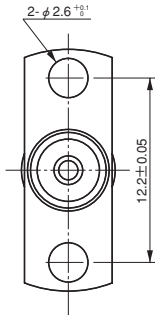
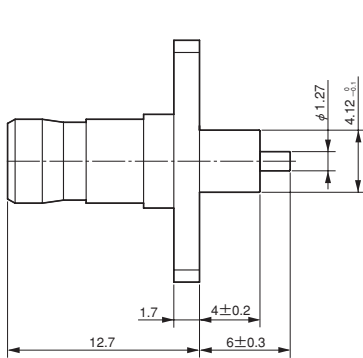
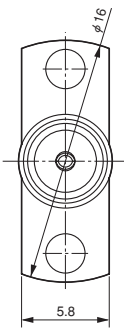
RECEPTACLE

Panel Mount Type

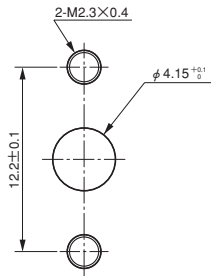
Intermatable with PLUG (56 Page)

Dimensions in millimeters

Straight · Two-hole Mount  
Part Number : CA1T001D00



PANEL MOUNTING HOLE PATTERNS (REF.)



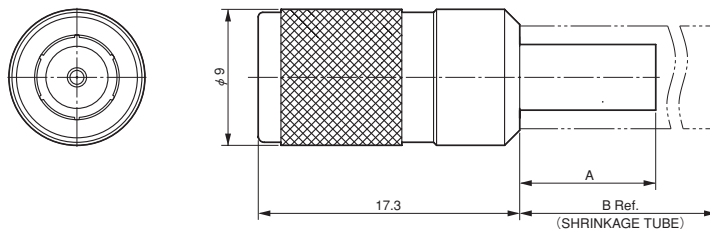
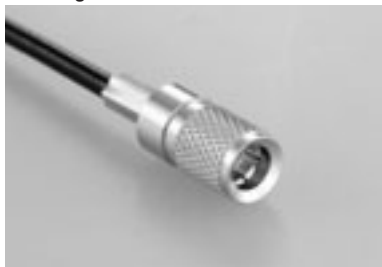
# CA1 Series

## PLUG

Interchangeable with RECEPTACLE (55 Page)

Dimensions in millimeters

### Straight



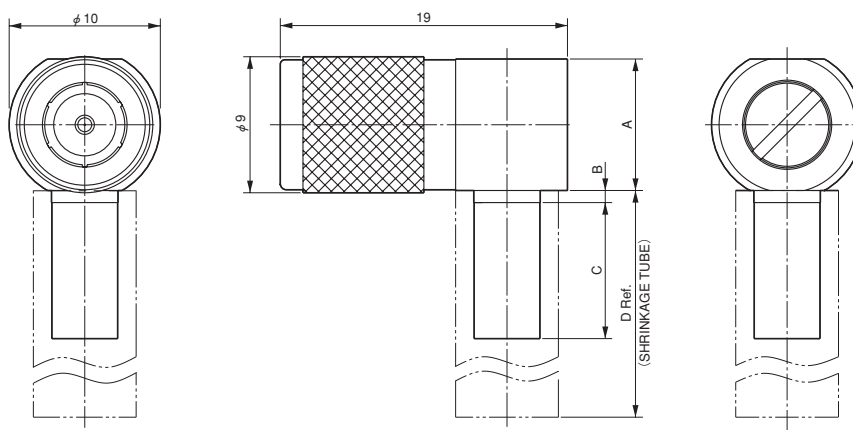
(Note) The picture on the above shows the CA1A004D37. The shapes of other models vary slightly.

### Part Number/Dimensions

Cable Type (Equivalent)	Part Number	A	B Ref.
1.5D-2V	CA1A004D37	9	—
1.5D-2W	CA1A005D37	9	20
2.5D-2V	CA1A001D13	10	—
0.141 inch Semi-flexible	CA1A002DA2	5	15
0.085 inch Semi-flexible	CA1A003DB2	5	13

(Note) Procedure for wire connection...See pages 113 to 120

### Right-angle



(Note) The picture on the above shows the CA1B001D37. The shapes of other models vary slightly.

### Part Number/Dimensions

Cable Type (Equivalent)	Part Number	A	B	C	D Ref.
1.5D-2V	CA1B001D37	8.7	0.5	9	—
1.5D-2W	CA1B002D37	8.7	0.5	9	20
2.5D-2V	CA1B003D13	8.5	1.0	10	—
0.141 inch Semi-flexible	CA1B004DA2	8.5	—	5	15
0.085 inch Semi-flexible	CA1B005DB2	8.7	1.3	5	13

(Note) Procedure for wire connection...See pages 113 to 120

---

## Before placing an order

- ①The values specified in this catalogue are only for reference. The products and specifications are subject to change without notice. Contact our sales staff for further information before considering or ordering any of our products. For purchase, a product specification must be agreed upon.
- ②Users are requested to provide protection circuits and redundancy circuits to ensure safety of the equipment, and sufficiently review the suitability of JAE's products to the equipment.
- ③The products presented in this catalogue are designed for the uses recommended below. We strongly suggest you contact our sales staff when considering use of any of the products in any other way than the recommended applications or for a specific use that requires an extremely high reliability.

**(1)Applications that require consultation:**

- (i)Please contact us if you are considering use involving a quality assurance program that you specify or that is peculiar to the industry, such as:  
Automotive electrical components, train control, telecommunications devices (mainline), traffic light control, electric power, combustion control, fire prevention or security systems, disaster prevention equipment, etc.
- (ii)We may separately give you our support with a quality assurance program that you specify, when you think of a use such as:  
Aviation or space equipment, submarine repeaters, nuclear power control systems, medical equipment for life support, etc.

**(2)Recommended applications include:**

Computers, office appliances, telecommunications devices (terminals, mobile units), measuring equipment, audiovisual equipment, home electric appliances, factory automation equipment, etc.

## **Japan Aviation Electronics Industry, Limited**

1-19, Aobadai 3-chome, Meguro-ku, Tokyo 153-8539, Japan  
Telephone: (81)3-3780-2768 Facsimile: (81)3-3780-2883

<http://www.jae.com>

<http://www.jae-connector.com>

---

### **JAE Electronics, Inc.**

142 Technology Drive, Suite 100 Irvine, California 92618-2430, U.S.A.  
Telephone: (1)949-753-2600 Facsimile: (1)949-753-2699  
(800)JAE-PART (523-7278) Toll free in U.S.A. except in California and Alaska

---

### **JAE Europe, Ltd.**

Coliseum Business Center, Riverside Way, Camberley, Surrey GU15 3YL, U.K.  
Telephone: (44)1276-404000 Facsimile: (44)1276-404010

---

### **JAE Taiwan, Ltd. <Taipei Branch Office>**

4F-1, No.88, Sec.2, Chung Hsiao E.Rd., Taipei, Taiwan, R.O.C.  
Telephone: (886)2-2396-7676 Facsimile: (886)2-2392-5929

---

### **JAE Hong Kong, Ltd.**

Suites 1407-11,14/F., Tower2, The Gateway, 25 Canton Road,  
Tsimshatsui, Kowloon, Hong Kong  
Telephone: (852)2723-7782 Facsimile: (852)2723-9028

---

### **JAE Shanghai Co., Ltd.**

RM1407, Shanghai Mart 2299 Yanan Road (West) Shanghai, 200336 P.R.C.  
Telephone: (86)21-6236-0322 Facsimile: (86)21-6236-1292

---

### **JAE Singapore Pte Ltd.**

33 Tannery Lane, #02-01 Hoesteel Industrial Building, Singapore 347789  
Telephone: (65)6748-1332 Facsimile: (65)6748-2920

---

### **JAE Korea, Inc.**

1602, City Air Tower, 159-9, Samsung-dong, Gangnam-gu, Seoul, 135-973 Korea  
Telephone: (82)2-551-8959 Facsimile: (82)2-551-8958

---

